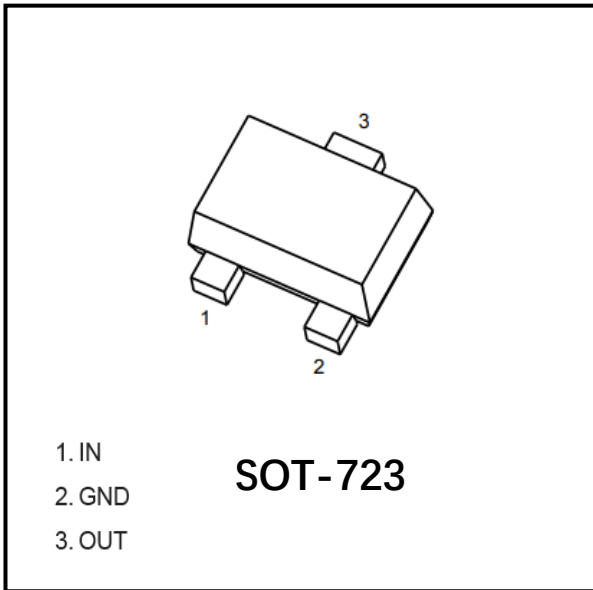


Digital Transistors (Built-in Resistors)



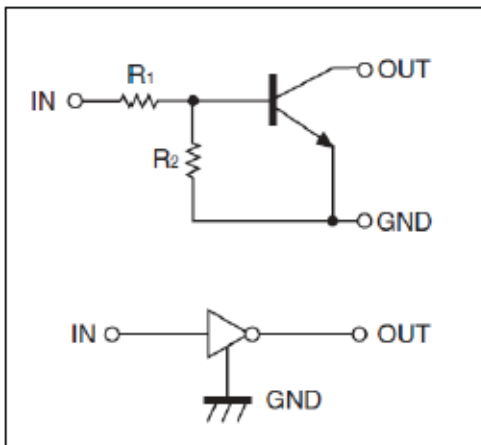
Features

- Epoxy meets UL-94 V-0 flammability rating
- Moisture Sensitivity Level 1
- Built-in bias resistors enable the configuration of an inverter circuit without connecting external input resistors
- Surface mount package ideally Suited for Automatic Insertion
- NPN

Mechanical Data

- **Package:** SOT-723
- **Terminals:** Tin plated leads, solderable per J-STD-002 and JESD22-B102
- **Marking:** 64

■Equivalent circuit



■Maximum Ratings (Ta=25°C Unless otherwise specified)

ITEM	SYMBOL	UNIT	CONDITIONS	VALUE
Supply Voltage	VCC	V		50
Input Voltage	VIN	V		-6 to +40
Output Current	IO	mA		100
Power Dissipation	PD	mW		100
Junction Temperature	Tj	°C		150
Storage Temperature	TSTG	°C		-55 to +150



DTC114YM

■ Electrical Characteristics (Ta=25°C unless otherwise specified)

ITEM	SYMBOL	UNIT	CONDITIONS	MIN	TYP	MAX
Input voltage	$V_{I(off)}$	V	$V_{CC}=5V, I_o=100\mu A$ $V_o=0.3V, I_o=1mA$	0.3		
	$V_{I(on)}$	V				1.4
Output voltage	$V_{O(on)}$	V	$I_o / I_i = 5mA / 0.25mA$			0.3
Input current	I_I	mA	$V_I=5V$			0.88
Output current	$I_{O(off)}$	μA	$V_{CC}=50V, V_i=0$			0.5
DC current gain	G_I		$V_o=5V, I_o = 5mA$	68		
Input resistance	R_1	$k\Omega$		7	10	13
Resistance ratio	R_2/R_1			3.7	4.7	5.7
Transition frequency	f_T	MHz	$V_o=10V, I_o=-5mA$		250	

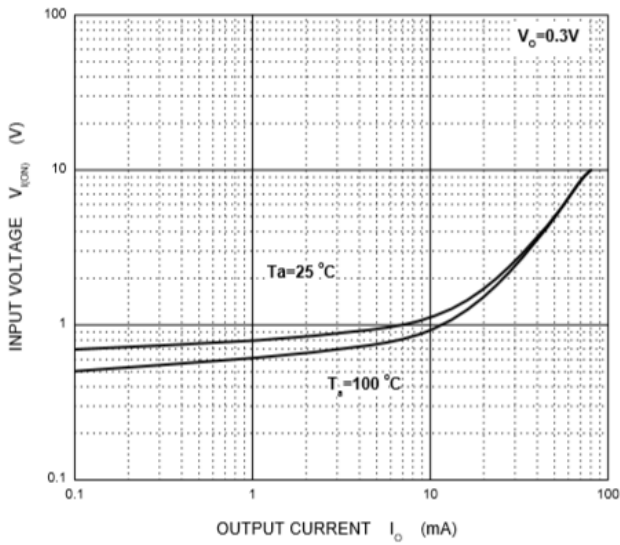
■ Ordering Information (Example)

PREFERRED P/N	PACKING CODE	UNIT WEIGHT(g)	MINIMUM PACKAGE(pcs)	INNER BOX QUANTITY(pcs)	OUTER CARTON QUANTITY(pcs)	DELIVERY MODE
DTC114YM	F2	Approximate 0.0013	8000	80000	320000	7" reel

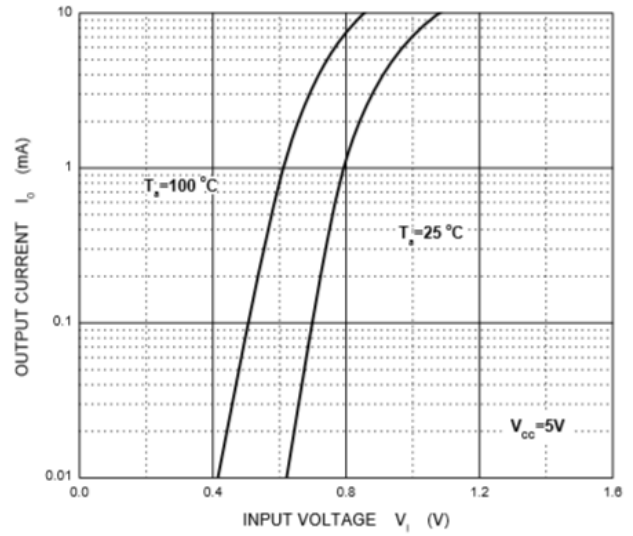


■ Characteristics (Typical)

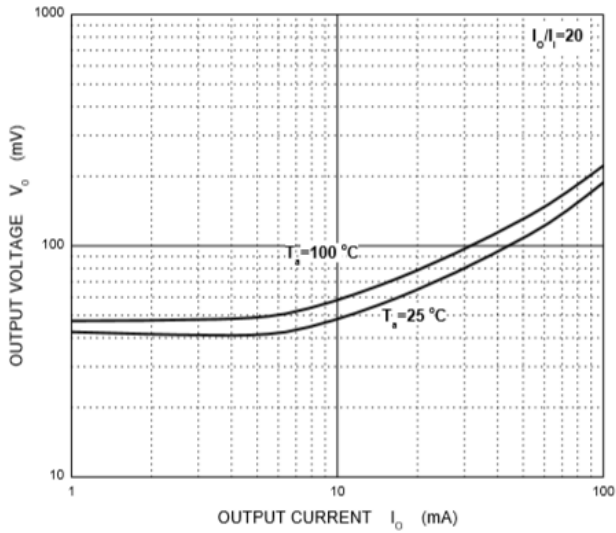
ON Characteristics



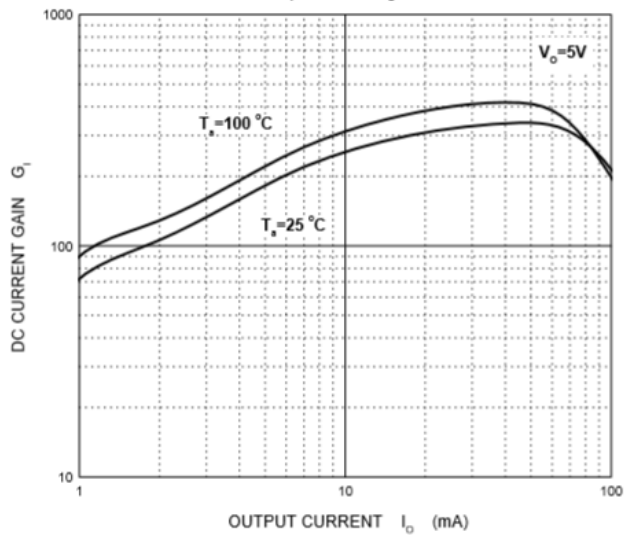
OFF Characteristics



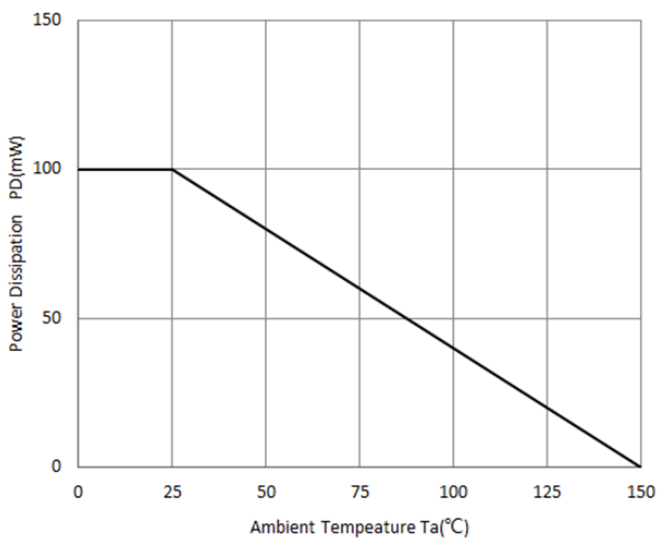
$V_o - I_o$



$G_i - I_o$



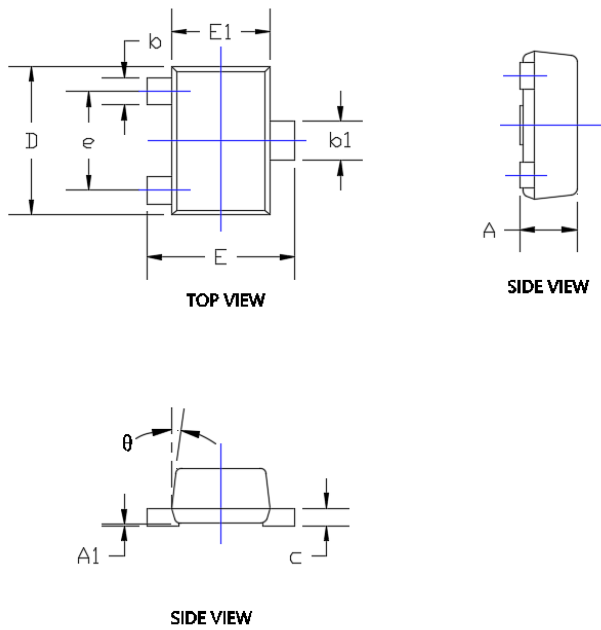
Power Derating Curve





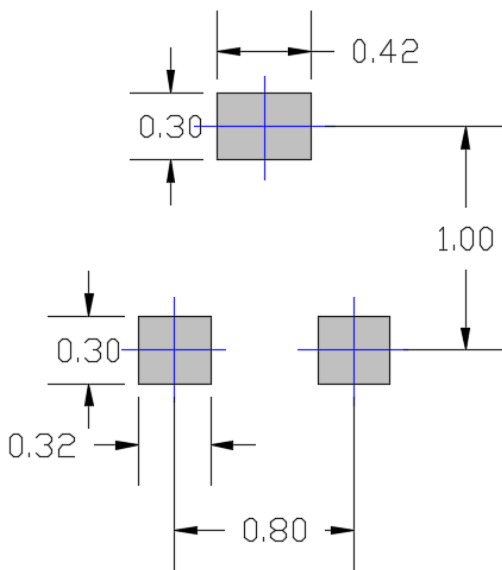
DTC114YM

■SOT-723 Package Outline Dimensions



SYMBOL	DIMENSIONS			
	INCHES		Millimeter	
	MIN.	MAX.	MIN.	MAX.
A	0.017	0.022	0.430	0.550
A1	0.000	0.002	0.000	0.050
b	0.007	0.011	0.170	0.270
b1	0.011	0.015	0.270	0.370
c	0.003	0.008	0.080	0.200
D	0.045	0.049	1.150	1.250
E	0.045	0.049	1.150	1.250
E1	0.030	0.033	0.750	0.850
e	0.031TYP.		0.800TYP.	
θ	7°REF.		7°REF.	

■SOT-723 Suggested Pad Layout



Note:

1. Package body sizes exclude mold flash and gate burrs.
2. Tolerance 0.1mm unless otherwise specified.
3. The pad layout is for reference purposes only.



Disclaimer

The information presented in this document is for reference only. Yangzhou Yangjie Electronic Technology Co., Ltd. reserves the right to make changes without notice for the specification of the products displayed herein to improve reliability, function or design or otherwise.

The product listed herein is designed to be used with ordinary electronic equipment or devices, and not designed to be used with equipment or devices which require high level of reliability and the malfunction of which would directly endanger human life (such as medical instruments, transportation equipment, aerospace machinery, nuclear-reactor controllers, fuel controllers and other safety devices), Yangjie or anyone on its behalf, assumes no responsibility or liability for any damages resulting from such improper use of sale.

This publication supersedes & replaces all information previously supplied. For additional information, please visit our website [http:// www.21yangjie.com](http://www.21yangjie.com) , or consult your nearest Yangjie's sales office for further assistance.